

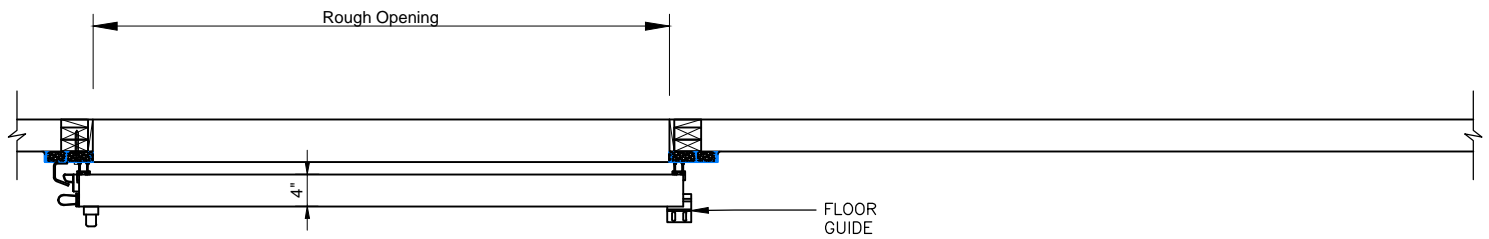
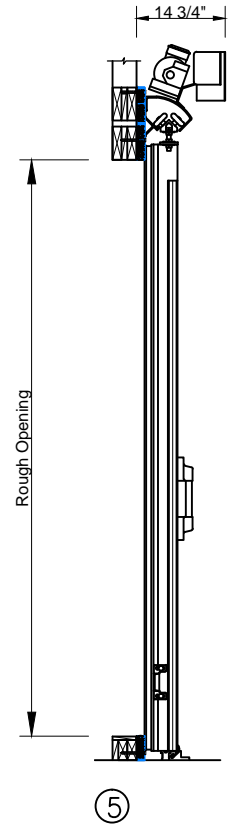
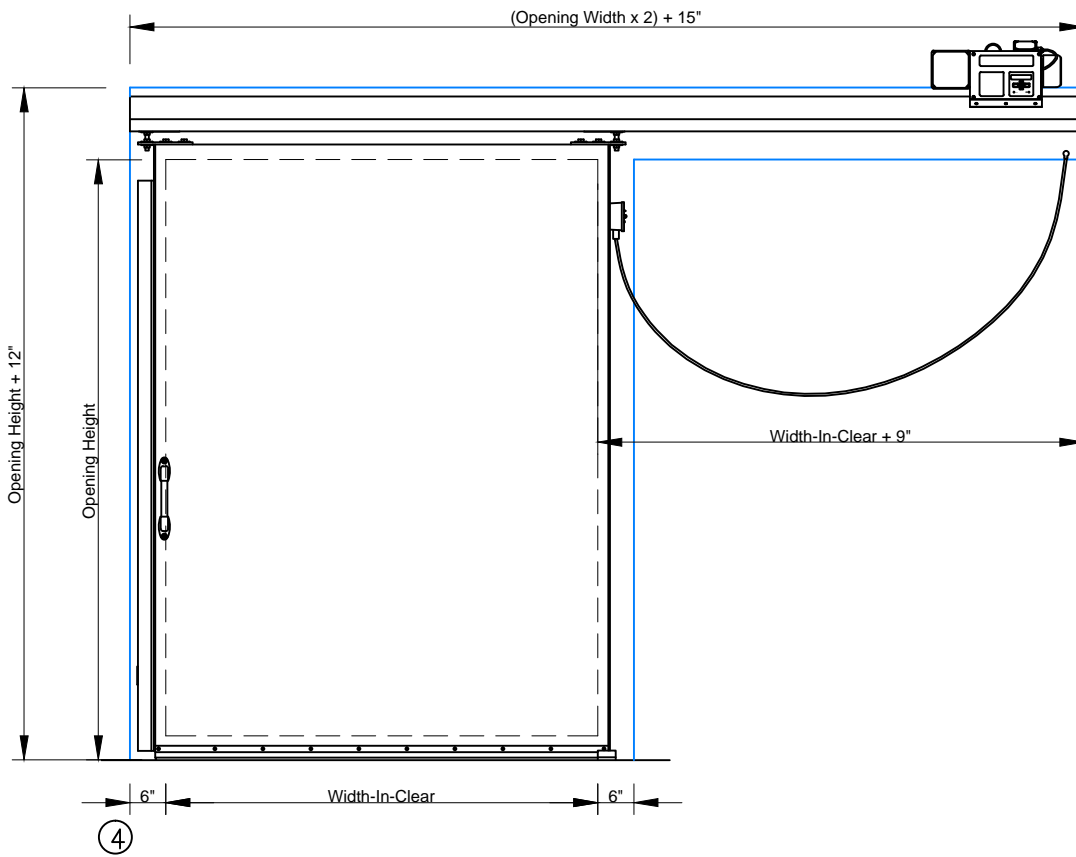
③ SCALE: 1/2" = 1'-0"

- ① ELEVATION – SWEEP BOTTOM SLIDING DOOR (EXTERIOR)
- ② SECTION – SWEEP BOTTOM SLIDING DOOR
- ③ JAMB – SWEEP BOTTOM SLIDING DOOR

Page 1/4
Single Horizontal Electric Slide Door with Face Casings
Model EFD-SHES
 Bottom Door Guide
 Exterior Pull Handle with Interior Recessed Handle



ALL DRAWINGS ARE 3/8" = 1'-0" SCALE UNLESS OTHERWISE NOTED



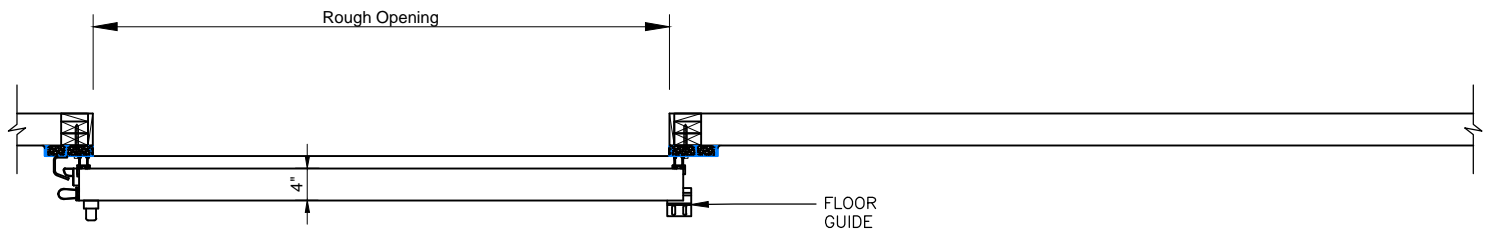
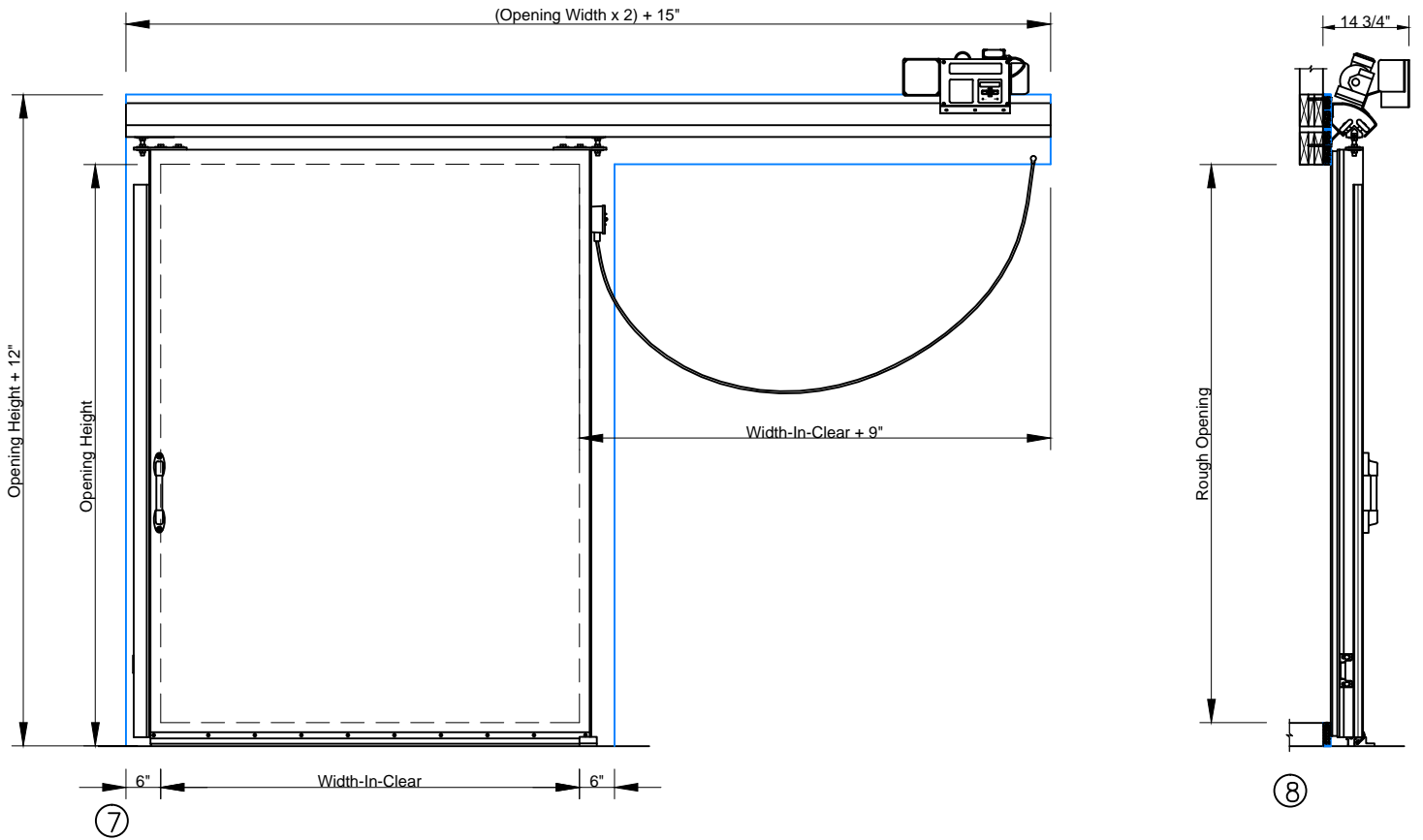
⑥ SCALE: 1/2" = 1'-0"

- ④ ELEVATION – HIGH SILL STEP OVER SLIDING DOOR (EXTERIOR)
- ⑤ SECTION – HIGH SILL STEP OVER SLIDING DOOR
- ⑥ JAMB – HIGH SILL STEP OVER SLIDING DOOR

Page 2/4
Single Horizontal Electric Slide Door with Face Casings
Model EFD-SHES
 Bottom Door Guide
 Exterior Pull Handle with Interior Recessed Handle



ALL DRAWINGS ARE 3/8" = 1'-0" SCALE UNLESS OTHERWISE NOTED



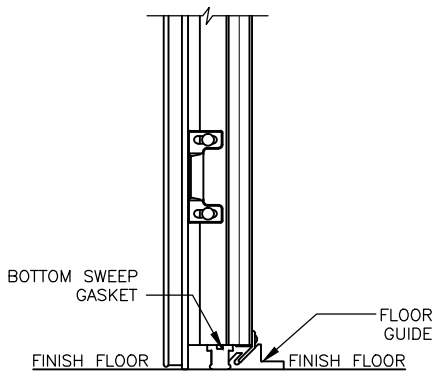
⑨ SCALE: 1/2" = 1'-0"

- ⑦ ELEVATION – HIGH SILL SLIDING DOOR (EXTERIOR)
- ⑧ SECTION – HIGH SILL SLIDING DOOR
- ⑨ JAMB – HIGH SILL SLIDING DOOR

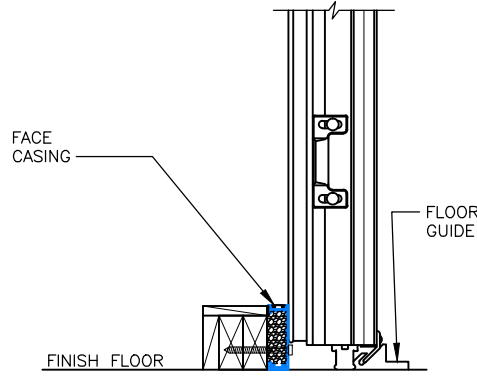
Page 3/4
Single Horizontal Electric Slide Door with Face Casings
Model EFD-SHES
 Bottom Door Guide
 Exterior Pull Handle with Interior Recessed Handle



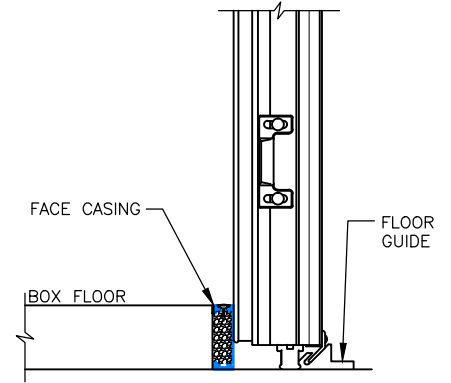
ALL DRAWINGS ARE 3/8" = 1'-0" SCALE UNLESS OTHERWISE NOTED



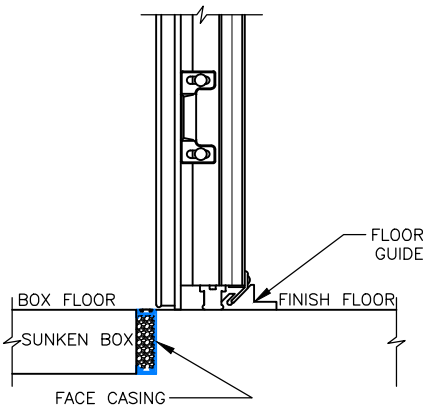
⑩ SCALE: 1" = 1'-0"



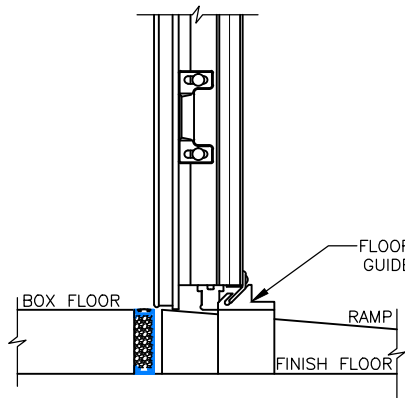
⑪ SCALE: 1" = 1'-0"



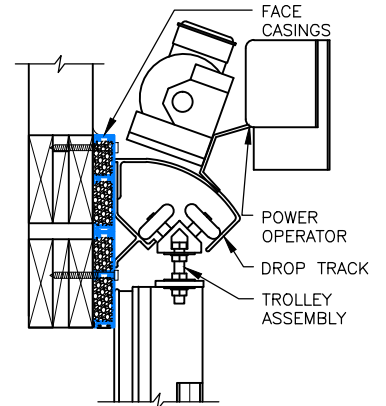
⑫ SCALE: 1" = 1'-0"



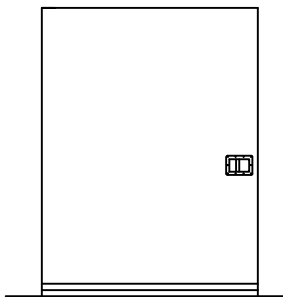
⑬ SCALE: 1" = 1'-0"



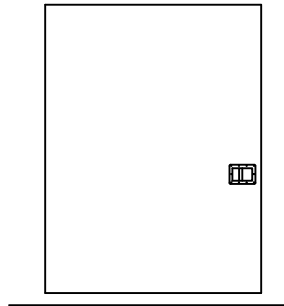
⑭ SCALE: 1" = 1'-0"



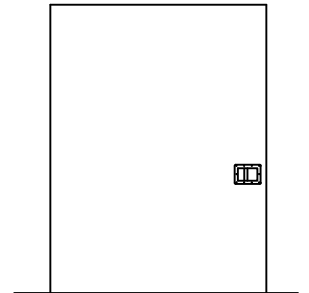
⑮ SCALE: 1" = 1'-0"



⑯ SCALE: 3/16" = 1'-0"



⑰ SCALE: 3/16" = 1'-0"



⑱ SCALE: 3/16" = 1'-0"

Single Horizontal Electric Slide Door with Face Casings

Model EFD-SHES

Bottom Door Guide

Exterior Pull Handle with Interior Recessed Handle

- ⑩ SILL DETAIL - SWEEP BOTTOM
- ⑪ SILL DETAIL - HIGH SILL STEP OVER
- ⑫ SILL DETAIL - HIGH SILL
- ⑬ SILL DETAIL - HIGH SILL WITH SUNKEN BOX FLOOR
- ⑭ SILL DETAIL - HIGH SILL WITH RAMP
- ⑮ HEAD - SLIDING DOOR - INSULATED METAL PANEL
- ⑯ ELEVATION - SWEEP BOTTOM SLIDING DOOR (INTERIOR)
- ⑰ ELEVATION - HIGH SILL STEP OVER SLIDING DOOR (INTERIOR)
- ⑱ ELEVATION - HIGH SILL SLIDING DOOR (INTERIOR)

